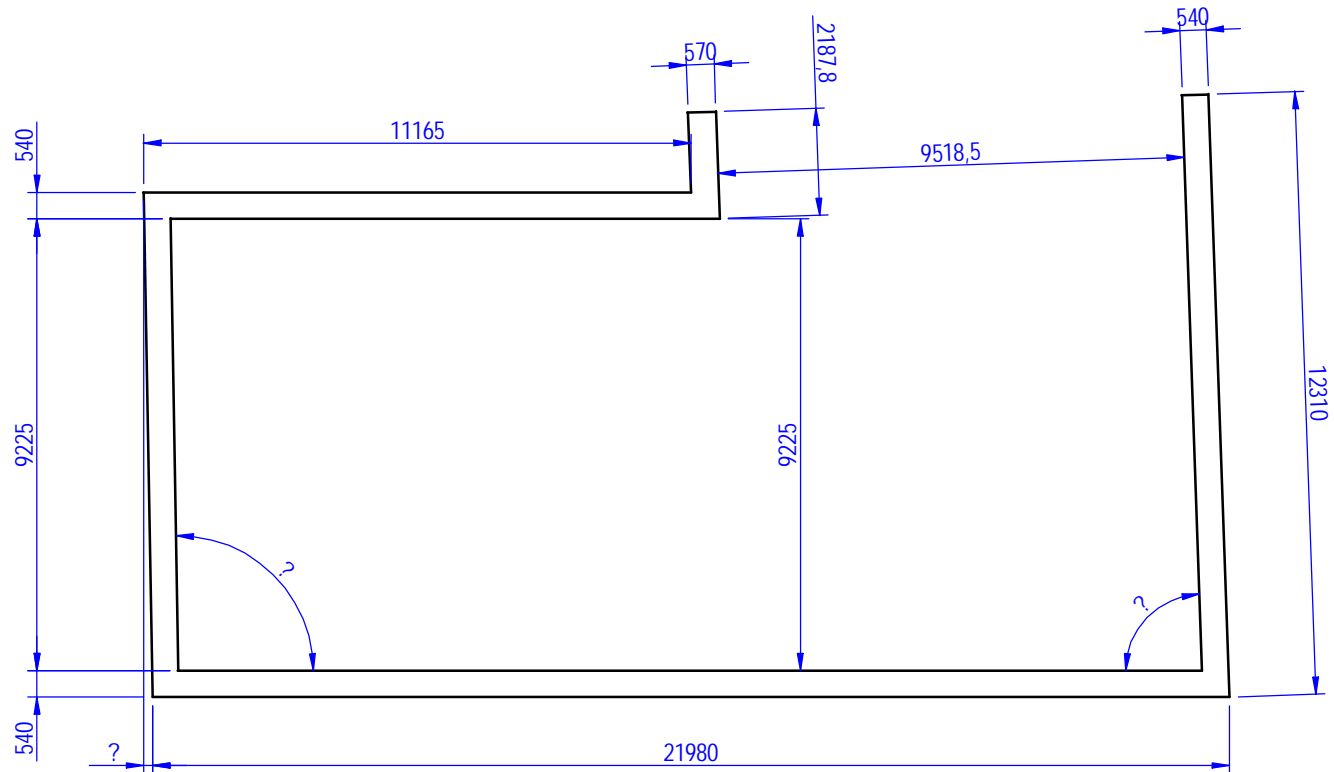



9	1	Truss E1			KC2001	KC2001	Yes	552,9 kg
8	1	Beam A1			KC2002	KC2002	Yes	339,0 kg
7*	1	Beam A2			KC2003	KC2003	Yes	330,2 kg
6	1	Truss E2			KC2004	KC2004	Yes	553,0 kg
5	1	Truss F			KC2005	KC2005	Yes	799,5 kg
4	1	Beam C			KC2006	KC2006	Yes	335,6 kg
3	1	Beam B			KC2007	KC2007	Yes	343,7 kg
2	1	Pillar D			KC2008	KC2008	Yes	67,2 kg
1	1	Truss E3			KC2009	KC2009	Yes	557,6 kg

Item	Pcs	Title	Dimension	Mat.	Document nr.	Art. nr.	Dft.	Weight
Title: ROOF TRUSS ASS.								Total weight: 3999,0 kg
Rev:					Name: Martin Pirko	Date: 25.7.2014		
					Drawing nr.: KC3001	Page: 1 OF 3		
					Scale: -	Mach Type:		
DE JONG LIFTEN CO, s.r.o. Chlarska 19 602 00 Bmo					Article: KC3001		A3	Rev:
<small> COPYRIGHT DE JONG LIFTEN CO. S.R.O. ALL RIGHTS RESERVED. IT IS STRICTLY FORBIDDEN TO REPRODUCE/COPY THIS DRAWING OR TO SHARE IT TO AN ONE WITHOUT OUR WRITTEN AUTHORISATION. </small>								

PŮDORYS VĚNCE



Title: ROOF TRUSS ASS.		Total weight: 3999,0 kg	
Rev:	Name: Martin Pirko	Date: 25.7.2014	☺ ↗
	Drawing nr.: KC3001	Scale: -	Mach Type:
	Article: KC3001	Page: 3 OF 3	
 DE JONG LIFTEN CO. s.r.o. Chlarska 19 602 00 Bmo		Article: A3	Rev:
<small> COPYRIGHT © DE JONG LIFTEN CO. S.R.O. ALL RIGHTS RESERVED. IT IS STRICTLY FORBIDDEN TO REPRODUCE/COPY THIS DRAWING OR TO SHOW IT TO ANYONE WITHOUT OUR WRITTEN AUTHORIZATION. </small>			